

MGD2643ASV



HD 1080P



Motorized
VF



H.265



EaZy
Networking



PoE



DWDR



Mobile
Surveillance

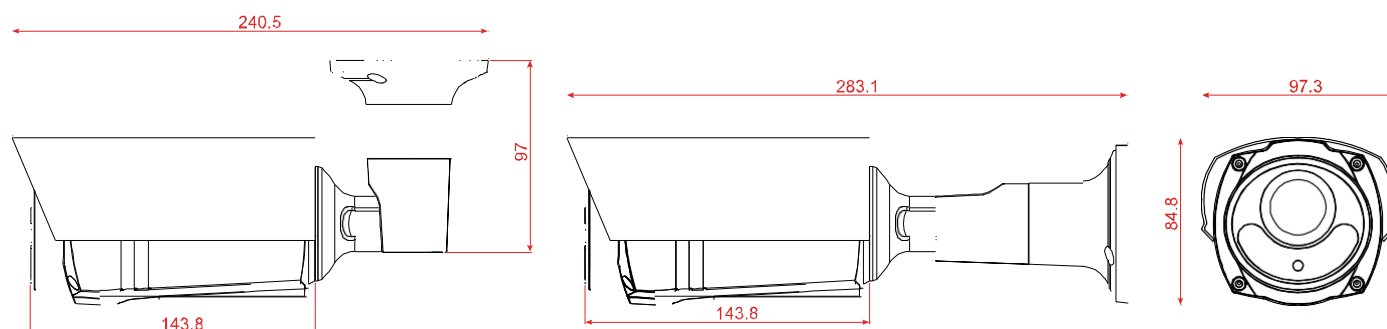
2MP H.265 IR Bullet IP Camera (Starlight / Motorized Lens)

FEATURES

- Equipped with a **motorized vari-focal lens**, focal length and focus adjustment could be made remotely
- Free P2P Cloud EaZy Networking**
 - Cloud **EaZy Networking** available to connect this device to Internet automatically in three steps with our free mobile app
 - The **Buddy** feature to share the device access permission to other people.
 - Device login / out notifications reported.
- Starlight visibility** to offer clear & color images even at night
- POE (Power-over-Ethernet)** support to eliminate the use of power cables and reduce installation costs
- ONVIF (ONVIFS)** standard supported to simplify system integration
- DWDR** to increase image recognizability in overexposure and dark areas
- Vertical View Mode** supported to monitor long and narrow areas such as corridors and aisles.
- Remote Surveillance**
 - Fully compatible** with **iOS** and **Android** devices, and **Internet Explorer** on Windows operating system
 - Free PC program, **CMS Lite**, for 32CH devices monitoring on Windows operating system



DIMENSIONS



Dimensional tolerance: ± 5mm



SPECIFICATIONS

Network	
LAN Port	YES
LAN Speed	10/100 Based-T Ethernet
Supported Protocols	DDNS, PPPoE, DHCP, NTP, SNTP, TCP/IP, ICMP, SMTP, FTP, HTTP, RTP, RTSP, RTCP, IPv4/Ipv6, Bonjour, UpnP, DNS, UDP, IGMP, QoS, SNMP
ONVIF Compatible	YES (Profile S)
Number of Online Users	10
Security	(1) Multiple user access levels with password (2) IP address filtering (3) Digest authentication
Remote Access	(1) Internet Explorer on Windows operating system (2) CMS Lite, 32CH CMS software for Windows operating system (3) iOS & Android mobile devices
Video	
Network Compression	H.265 / H.264 / MJPEG
Video Resolution	1920 x 1080 / 1280 x 720 / 704 x 480 / 352 x 240
Frame Rate	30fps
Multiple Video Streaming	4 (H.265 / H.264 / MJPEG)
General	
Image Sensor	1/2.8" CMOS image sensor
Min Illumination	0.001 Lux / F1.6 (Wide) ~ F2.8 (Tele), 0 Lux (IR LED ON)
Shutter Speed	1/2 to 1/10,000 sec
S/N Ratio	More than 48dB (AGC off)
Lens	motorized f2.8 ~ f12mm / F1.6 ~ F2.8 (Auto Focus)
Viewing Angle	Wide: 87° (Horizontal) / 50° (Vertical) / 93° (Diagonal) Tele: 33° (Horizontal) / 19° (Vertical) / 37° (Diagonal)
IR LED	4 Units
IR Effective Distance**	Up to 50 meters
IR Shift	YES
Smart Light Control	YES
White Balance	ATW
AGC	Auto
IRIS Mode	AES
Sharpness	YES
DWDR	YES
POE	YES (IEEE 802.3af)
Vertical View Mode	YES
Weather-proof	IP66
Operating Temperature	-25°C ~ 50°C
Operating Humidity	90% or less relative humidity
Power Source (±10%)	12V / 1A
Current Consumption (±10%)	180mA (IR OFF) / 440mA (IR ON)
Power Consumption (±10%)	PoE & PoN: 7.2W; DC adapter: 5.8W
Net Weight (kg)	0.94



▮ SPECIFICATIONS (CONTINUED)

■ Others	
EaZy Networking	YES
Mobile Surveillance	iOS & Android mobile devices
Motion Detection	YES
Event Notification	FTP / Email / SMS
RTC (real-time clock)	YES
Digital Pan / Tilt / Zoom	YES
Minimum Web Browsing Requirements	<ul style="list-style-type: none">- Intel core i3 or higher, or equivalent AMD- 2GB RAM- AGP graphics card, Direct Draw, 32MB RAM- Windows 10, Windows 8, Windows 7, Windows Vista & Windows XP, DirectX 9.0 or later- Internet Explorer 7.x or later (Windows Edge not supported)
Optional Junction Box	WVA156-WHKT / WVA456-WBKT / WVA456-WHKT / WVM552C-HBKT
Certification	CE

*The specifications are subject to change without notice.