

## MGD2203SVE



HD 1080P



H.265



Starlight



PoE



WDR



Human  
Detection



Full Color  
Monitoring



MIC built-in



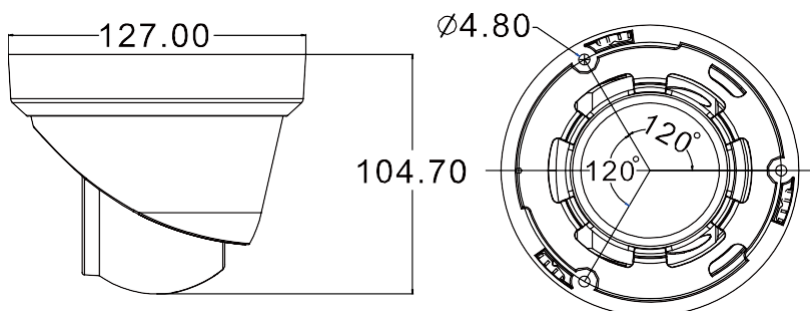
MicroSD Card  
Recording

### AI-based 5MP H.265 Full Color Dome IP Camera

#### FEATURES

- **Starlight visibility** to offer clear & color images even at night
- **AI-based human detection** supported to avoid false detection alarms
- **7/24 Full Color** monitoring to offer color images even at night / in the dark environment when any motion is detected
- MicroSD card support (up to 256GB) for **video storage**
- **ONVIF** standard supported to simplify system integration
- **POE (Power-over-Ethernet)** support to eliminate the use of power cables and reduce installation costs
- **Microphone built-in** for audio recording
- **WDR** to increase image recognizability in overexposure and dark areas
- **Remote Surveillance**  
**Compatible** with **Internet Explorer 6** and above, **Microsoft Edge** & **Google Chrome**

#### DIMENSIONS



Dimensional tolerance: ± 5mm



## SPECIFICATIONS

■ Device		
Image Sensor		1/2.8" SONY CMOS
Max. Resolution		2560 x 1944
Lens		f2.8mm / F1.0
Viewing Angle		112° (Diagonal)
Min Illumination		0.0001 Lux (LED off), 0 Lux (LED on)
Shutter Speed		AUTO, 1/25s ~ 1/100000s
LED		2 warm LED units
Effective Distance		Up to 30 meters
Day / Night		YES
WDR Mode		YES (120dB)
RTC (real-time clock)		YES
MicroSD Card Slot		YES (up to 256GB)
■ Video		
Compression		H265 / H.264
Video Resolution	Main Stream	5MP (2592x1944) / 4MP (2560x1440) / 3MP (2304x1296) / 2MP(1080P) / 720P
	Sub Stream	D1 / VGA / 640x360 / 480x360 / CIF
Frame Rate		5MP @ 25FPS
Video Profile		High profile / Main profile / Base profile
Multiple Video Streaming		2 streams
Bitrate Control		512Kbps - 12Mbps, VBR/CBR
Image Enhancement		WDR / BLC / HLC / 2D DNR / 3D DNR / AWB / MWB / AGC
Day / Night Switch		Auto / Color / (B/W) / Timing
Forced Anti-flicker		YES
Defog		YES
White Balance		Auto / Manual
Image Orientation		Rotate / Mirror
Privacy Mask		YES
Text Overlay		YES
OSD Title		Location / font size / text configurable; text input (English & Chinese characters) and image upload (BMP) supported
■ Audio		
Microphone built-in		YES
Encoding		G.711-u / G.711-a
Audio Adjustment		YES
■ Alarm & Event		
Detection Mode		Motion / Human Detection
Detection Schedule		YES
Motion Detection Area		1x1, 2x2, 3x2, 3x3, 4x3, 4x4, 8x8, 16x16, 22x18

. \*The specifications are subject to change without notice. .



## SPECIFICATIONS (CONTINUED)

■ Storage	
On-Board Storage	Built-in memory card slot, supports microSD / SDHC / SDXC card up to 256GB
Overwrite	YES
Maximum Recoding Time / per File	1, 2, 3, 5, 10, 20 & 30 minutes configurable
Recording Schedule	YES
■ Network	
LAN Port	RJ45 connector x 1 / 4KV lightning-proof
LAN Speed	100Mbps Based-T Ethernet
Supported Protocols	HTTP / RTSP / FTP / SMTP / DHCP / NTP / NFS / RTMP
ONVIF Compatible	Onvif 17.06 compatible
Number of Online Users	6
Remote Access	Internet Explorer 6 and above (recommended), Microsoft Edge & Google Chrome
■ General	
Web Interface Language	English, Traditional Chinese, Simplified Chinese, Russian, German, Italian, Turkish, Korean
Operating Temperature	-30°C ~ 60°C
Operating Humidity	10%-90%RH
POE	IEEE 802.3af
Power Source (±10%)	PoE / DC12V
Power Consumption (±10%)	< 8 W
Net Weight (g)	491
Casing	IP66
Optional Bracket / Junction Box	WVA145-WHKT
Minimum Web Browsing Requirements	<ul style="list-style-type: none"> <li>• Intel core i3 or higher, or equivalent AMD</li> <li>• 2GB RAM</li> <li>• AGP graphics card, Direct Draw, 32MB RAM</li> <li>• Windows 10, Windows 8, Windows 7, DirectX 9.0 or later</li> <li>• Internet Explorer 6 and above (recommended), Microsoft Edge &amp; Google Chrome</li> </ul>

\*The specifications are subject to change without notice.